



■ Specifications

Power	AC90~260V • 50/60HZ
Excitation	DC12V±10% (100mA)
Power Consumption	< 9VA
Insulation Resistance	500VDC • >100MΩ(between terminal / housing)
Memory	EEPROM
Operating Environment	0℃~55℃ • 20~85%RH • Non-Condensing
Display Range	4-digit display: 0~9999 • 6-digit display: 0~999999
LED Size	7-segment • Red LED • 2.3" (5.68cm) , 4" (10.16cm) , 7"(18cm) , 11"(28cm)
Over Range Indication	Counting start-over from 0
Relay Output	Up to 2 sets
Decimal	Up to 3, selected from dip switch
Housing Material	Aluminum extruded profile • Black powder coat finish • Acrylic face
IP-Rating	IP-50(Indoor)
Installation	Bracket mount • Suspension mount • Panel mount(2.3" LED only)

■ Ordering Information

A **A** **S** **4** - **4** **1** **M** - **Q**
 ① ② ③ ④ ⑤ ⑥

①: LED Size	②: Display	③: Dimension (Unit:mm)	④: NO of LED	⑤: Relay	⑥: LED Brightness
A 2.3" (6 cm)	S Single Side	2 L260 (2.3" LED)	4 4-digit	Blank No relay	Blank Regular
B 4" (10 cm)	D Double Side	3 L310 (2.3" LED)	6 6-digit	1 1 relay	Q Ultra Illumination
D 7" (18 cm)	F Panel Mount*	4 L400 (LED 4")		2 2 relay	
E 11" (28 cm)		5 L500 (4" LED)			
H 2.3" (6 cm)*		6 L600 (4" LED)			
		7 L700 (7"& 11"LED)			
		8 L800 (7"&11"LED)			
		9 L900 (7"&11"LED)			
		10 L1000 (7"&11"LED)			
		12 L1200 (7"&11"LED)			
		16 L1600 (7"&11"LED)			

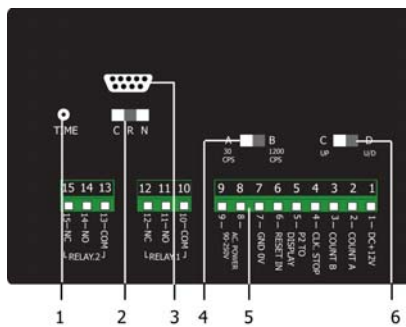
- * Please select "H" LED size for double-side 2.3" LED Display
- * Panel mount model is only available for 2.3" LED Display
- * Double side is only available on 2.3" & 4" LED Display
- * The cable length of remote control box is 5M
- * Ultra illumination is only available on 4" LED Display

Dimension (Unit: mm)

Model	Dimension	Model	Dimension
AAS2	L260 x W100 x D55	ABD6	L600 x W155 x D100
AAS3	L310 x W100 x D55	ABD7	L700 x W155 x D100
AAS5	L500 x W100 x D55	ABD9	L900 x W155 x D100
AHD2	L260 x W110 x D100	ADS8	L800 x W310 x D100
AHD3	L310 x W110 x D100	ADS9	L900 x W310 x D100
AHD5	L500 x W110 x D100	ADS10	L1000 x W310 x D100
ABS4	L400 x W155 x D100	ADS12	L1200 x W310 x D100
ABS5	L500 x W155 x D100	ADS16	L1600 x W310 x D100
ABS6	L600 x W155 x D100	AES8	L800 x W310 x D100
ABS7	L700 x W155 x D100	AES9	L900 x W310 x D100
ABS9	L900 x W155 x D100	AES10	L1000 x W310 x D100
ABD4	L400 x W155 x D100	AES12	L1200 x W310 x D100
ABD5	L500 x W155 x D100	AES16	L1600 x W310 x D100

Rear Panel Identification

Single-Side:



1. One shot output time adjustor(0.1 sec ~ 9.9 sec)
2. Output mode switch

DIP-SWITCH NO.	FUNCTIONS
N	Display value and relay output is held until reset signal is applied
R	After one-shot time of relay output, display value will be reset and counting operation start again
C	The display value resets at the same time counting up

3. Remote box connector (Preset value input, only available for relay output option)

4. Counting speed

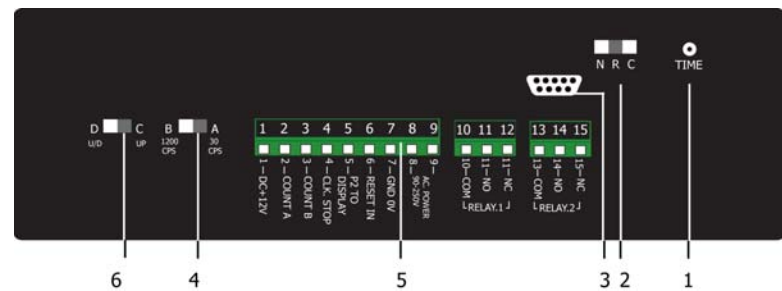
DIP-SWITCH NO.	FUNCTIONS
A	30 CPS of contact signal input
B	1200 CPS of non-contact signal input

5. Terminal block

6. Input mode selector

DIP-SWITCH NO.	FUNCTIONS
C	Add count
D	Add/Subtract count

Double-Side:



1. One shot output time adjustor(0.1 sec ~ 9.9 sec)
2. Output mode switch

DIP-SWITCH NO.	FUNCTIONS
N	Display value and relay output is held until reset signal is applied
R	After one-shot time of relay output, display value will be reset and counting operation start again
C	The display value resets at the same time counting up

3. Remote box connector (Preset value input, only available for relay output option)

4. Counting speed

DIP-SWITCH NO.	FUNCTIONS
A	30 CPS of contact signal input
B	1200 CPS of non-contact signal input

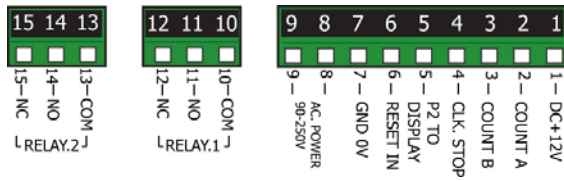
5. Terminal block

6. Input mode selector

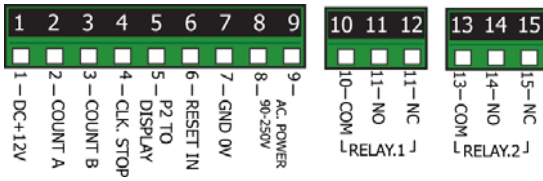
DIP-SWITCH NO.	FUNCTIONS
C	Add count
D	Add/Subtract count

Terminal Diagram

Single Side:



Double Side:



Description	Terminal
Power Supply	8、9
Contact Input	2、7
Non-Contact Input (NPN)	1、2、7(+) or 1、3、7(-)
90° Quadrature	1、2、3、7
Remote Reset	6、7
Remote Count Stop	4、7
Relay 1	10、11、12
Relay 2	13、14、15

Safety Precaution

1. Disconnect power to the unit to eliminate the potential shock hazard when connecting terminal.
2. Observe proper polarity when connecting DC voltage. Do not apply reverse polarity of power.
3. Do not apply voltage/current exceeding the maximum allowable limit.
4. This unit should not be used outdoors.
5. Do not expose the unit under the extreme environment.
6. Do not disassemble and modify this unit.

Limited Warranty

We warrants that the medium on which the product will be free from defects in materials and workmanship under normal use and service for a period of **ONE YEAR**. The Company's and its suppliers' entire liability and Customer's exclusive remedy shall be, at the Company's option, either (a) return of the price paid for the product, or (b) repair or replacement of the product that does not meet this Limited Warranty and which is returned to the Company with a copy of Customer's receipt. This Limited Warranty is VOID if failure of the product has resulted from accident, abuse, or misapplication.