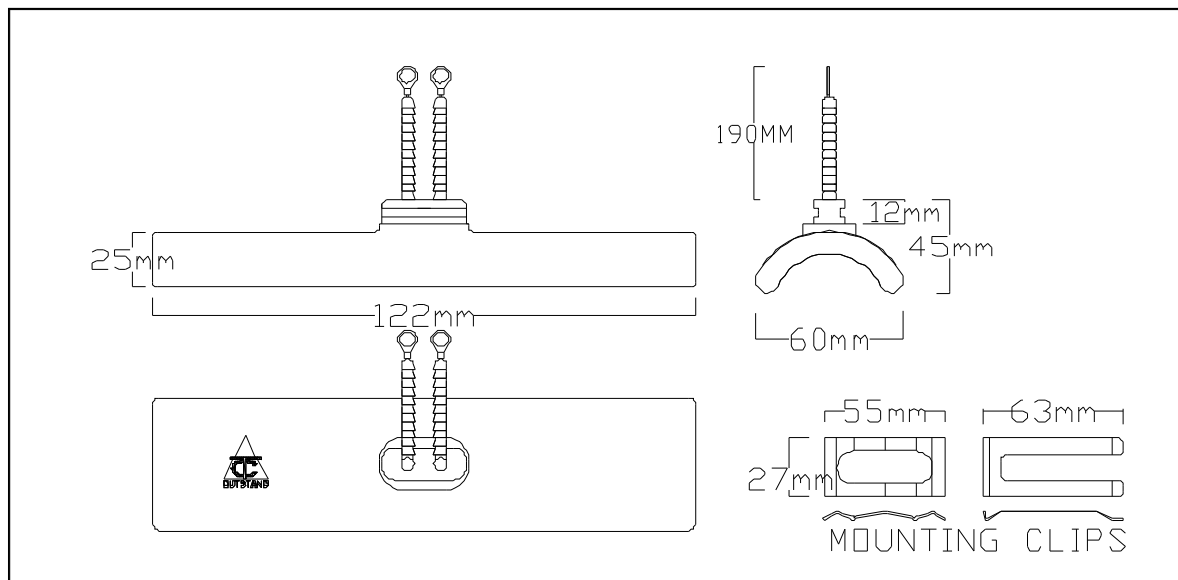
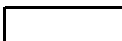


OUTSTAND INFRARED RADIATION ELEMENTS A-2



Heater and Power A-2 - W	125W	200W	250W	325W	400W	500W	watt
Power Density(KW/m ²)	16	25.6	32	41.6	51.2	64	Kw/m ²
Typical operating temp.(°C)	400	500	560	620	680	730	°C
Max. permissible temp.(°C)	550	600	650	700	720	750	°C
Wavelength range(μm)	2 to 10						μm
Heat- up constat to 63% of the final temperature(min)	4.8	3.8	3.5	3.0	2.7	2.4	min.
Mean cool-down fro the final teperature to 200°C(min)	7	9	10	11	12	12	min.
Typical temp. of exposed good (guideline.since it strongly depends on the goods)	150	200	230	250	280	300	°C

Order Code: A-2  W-T (Code 'T' for heater with built in Thermocouple)

This graph shows the heat-up/cool-down curves of OUTSTAND

