

# ISC-series

## Single / Dual Channel Programmable Isolated Signal Converter/Conditioner

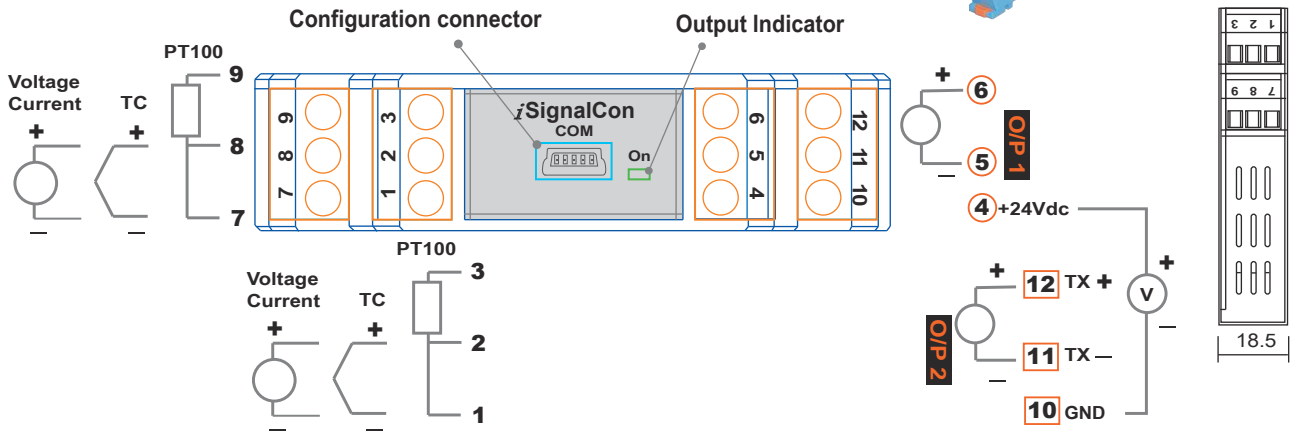
### Features

- Programmable for various input signals, measuring range
- Configurable without external Power Connected.
- Configurable Input: Resistance thermometer (Pt100)  
Thermocouple (J,K,T,E,B,R,S,N,C)  
Voltage/Current, mV ( V/mA not selectable, request by order. )
- Output device:
  - 1) ISC-S: Single Analog Output (OUT1): 4~20mA, 0~10VDC ..., OUTPUT1=PV1
  - 2) ISC-D: Dual Analog Output 4~20mA or 0~20VDC .....  
OUTPUT1=PV1, OUTPUT2=PV2
  - 3) ISC-C: Single Analog Output 4~20mA, 0~10VDC... with RS485 com port

### Configuration

The ISC DIN Rail converter is user configurable by the optional interface cable URC-1020 c/w free software "Signalwin" or handheld programmer.  
The Interface cable consist of interface converter and USB plug, and no need connecting a power source during configuration.

✘ Please refer to General Specification as page 43 and dimension same as IST-H.



### Ordering information

Explosion Proof Code: Yes (Y), No (N)

Model: **ISC - D** - **K** - **0~400** - **M V** - **N** - **N**

Output Device	Code	Input Signal	Code	Temperature Range	Output 1	Code	Math Function Code	
Single analog output	S	Thermocouple J	J	-50 to 1000°C (-58 to 1832°F)	4 to 20 mA	M	None	N
Dual analog output	D	Thermocouple K	K	-50 to 1370°C (-58 to 2498°F)	0~10VDC	V	High / Low output	HL
Single analog output with RS485 com port	C	Thermocouple T	T	-270 to 400°C (-454 to 752°F)	Other	O	Addition	AD
		Thermocouple E	E	-50 to 960°C (-58 to 1760°F)			Subtraction	SB
		Thermocouple B	B	0 to 1750°C (32 to 3182°F)			Average	AV
		Thermocouple R	R	-50 to 1750°C (-58 to 3182°F)			Square Root	SR
		Thermocouple S	S	-50 to 1750°C (-58 to 3182°F)				
		Thermocouple N	N	-50 to 1300°C (-58 to 2372°F)				
		Thermocouple C	C	-50 to 1800°C (-58 to 3272°F)				
		Pt100	D	-200 to 600°C (-328 to 1112°F)				
		mV	L	-60mV to 60mV				
		Voltage	V	-10 to 10Vdc				
		Current	M	0 to 24mAdc				

Output 2 Code: None (N), 4 to 20 mA (M), 0~10VDC (V), Other (O), RS-485 (C)

Math Function Code: None (N), High / Low output (HL), Addition (AD), Subtraction (SB), Average (AV), Square Root (SR)

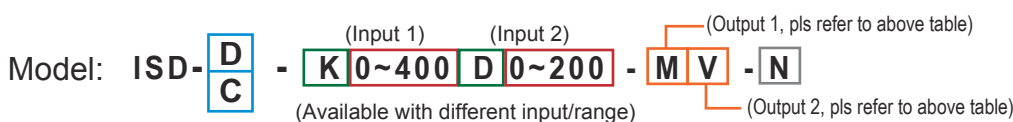
Constant Factor A, B Adjustable Range: A=, B=, -128~127

Constant Factor A, B Adjustable Range: A=, B=, -128~127

Constant Factor C Adjustable Range: C=, -30000~30000; C ≠ 0

# ISD-series

## Dual Channel Isolated Signal Converter/Conditioner



✘ Please specify the Input/Range/Output if factory setting is requested or if has no Interface Cable.