



- ✓ 2-wire Transmitter
- ✓ 4 to 20mA Output
- ✓ RTD Probe included
- ✓ Stainless Steel Housing (IP65)
- ✓ Available option Indicator with Model: SD05 or FI-40

**SPECIFICATION**

**INPUT**

Sensor ..... Pt100 Ω (3-wires)  
 Sensor current ..... < 0.8mA  
 Zero adjustment range ..... ±10%  
 Span adjustment range ..... ±10%

**OUTPUT**

Output Signal ..... 4~20mA DC (2-wire)  
 Accuracy ..... ±0.5%  
 Operating Voltage ..... 10~30VDC  
 Load impedance ..... ≤ (power supply 8)/0.02  
 Calibration Temperature ..... 20~28°C  
 Response Time ..... < 250ms

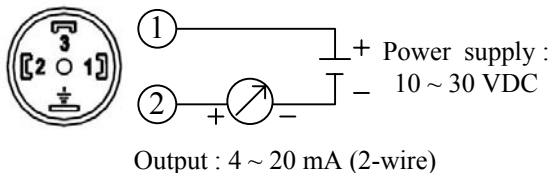
**PROTECTION**

Sensor break protection output ..... > 23mA  
 Sensor short protection output ..... < 3mA  
 With output reverse protected  
 With IP65 protection grade

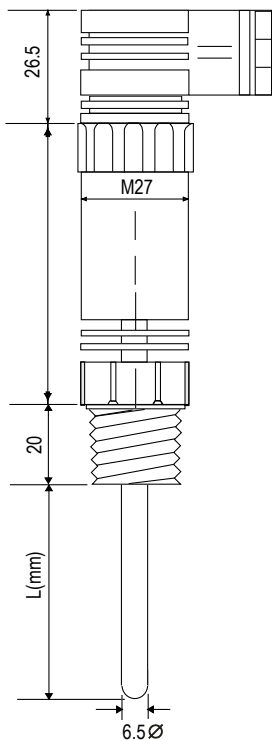
**General specification**

Operating ambient temperature ..... -20~80°C  
 Operation relative humidity ..... 20~95%RH (non-condensing)  
 Electrical connection ..... DIN43650 (ABS)

**WIRING DIAGRAM**



**DIMENSION: Unit (mm)**



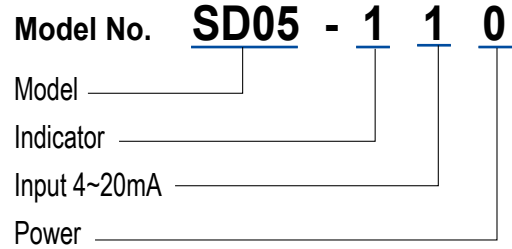
**ORDER INFORMATION**

**TP04 - 1 1 4 1 - 3**

INPUT		OUTPUT		CONNECTION		Length (L)		Temperature Range	
1	Pt100	1	4~20mA	1	NPT1/4"	1	50mm	1	-50°C ~ 50°C
				2	PT1/4"	2	100mm	2	-50°C ~ 0°C
				3	NPT1/2"	3	150mm	3	0°C ~ 50°C
				4	PT1/2"	4	200mm	4	0°C ~ 100°C
				A	Compression PT1/4"			5	0°C ~ 200°C
				B	Compression PT1/2"				
				C	Compression NPT1/4"				
				D	Compression NPT1/2"				



- ✓ Application for the transmitter with Electrical connector DIN43650, Ex): Pressure, Differential Pressure Transmitter, Temperature Transmitter...
- ✓ SD05 is available 330° angle adjustable
- ✓ Powered from 2-wire signal loop, no need extra power
- ✓ Highlight LED is apply for field monitor
- ✓ Easy operation by programmable keys



## SPECIFICATION

### INPUT

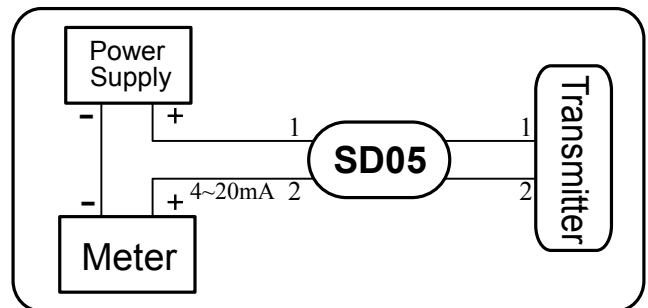
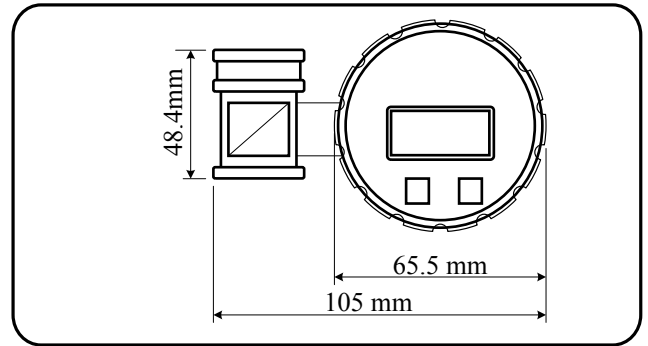
Input Signal ..... 4 ~ 20mA DC  
 Parameter Setting ..... by keys

### OUTPUT

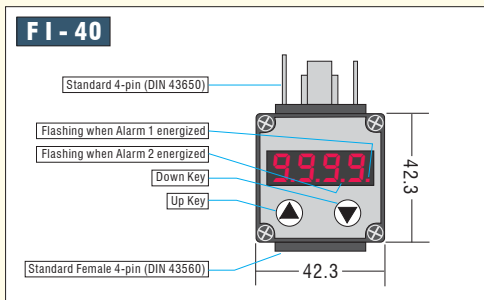
Display ..... 4 digital LED (9.2mmH)  
 Display Range ..... -1999 ~ +9999  
 Decimal Point ..... Programmable  
 Accuracy ..... 0.2% of F.S.  
 Power ..... 4~20mA (2-wire)  
 Loop buck ..... 3.3VDC  
 Over Load Current ..... 40mA DC

### ENVIRONMENTAL

Operating Temperature ..... -20 ~ +75°C  
 Protection Grade ..... IP65  
 Material ..... ABS + PC



## 4 DIGITAL FIELD INDICATOR



### FEATURE

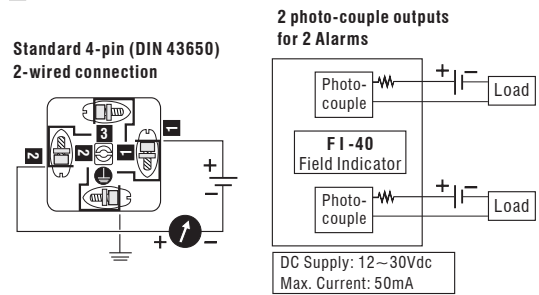
- Measuring loop current 4~20mA (2-wired transmitters)
- High accuracy  $\leq \pm 0.2\%$  F.S.  $\pm 1$  digit
- User function, easily programmed by the front panel
- Display range: -1999 ~ +9999
- Alarm output indication by flashing the decimal point of LED
- Optional Two photo couple for alarm outputs

### ORDER INFORMATION

**FI - 40** Alarm Output

CODE	Alarm Output
N	None
S	Two photo-couple (Option)

### CONNECTION DIAGRAM



*Example Application for FI-40 with Pressure Transmitter*

